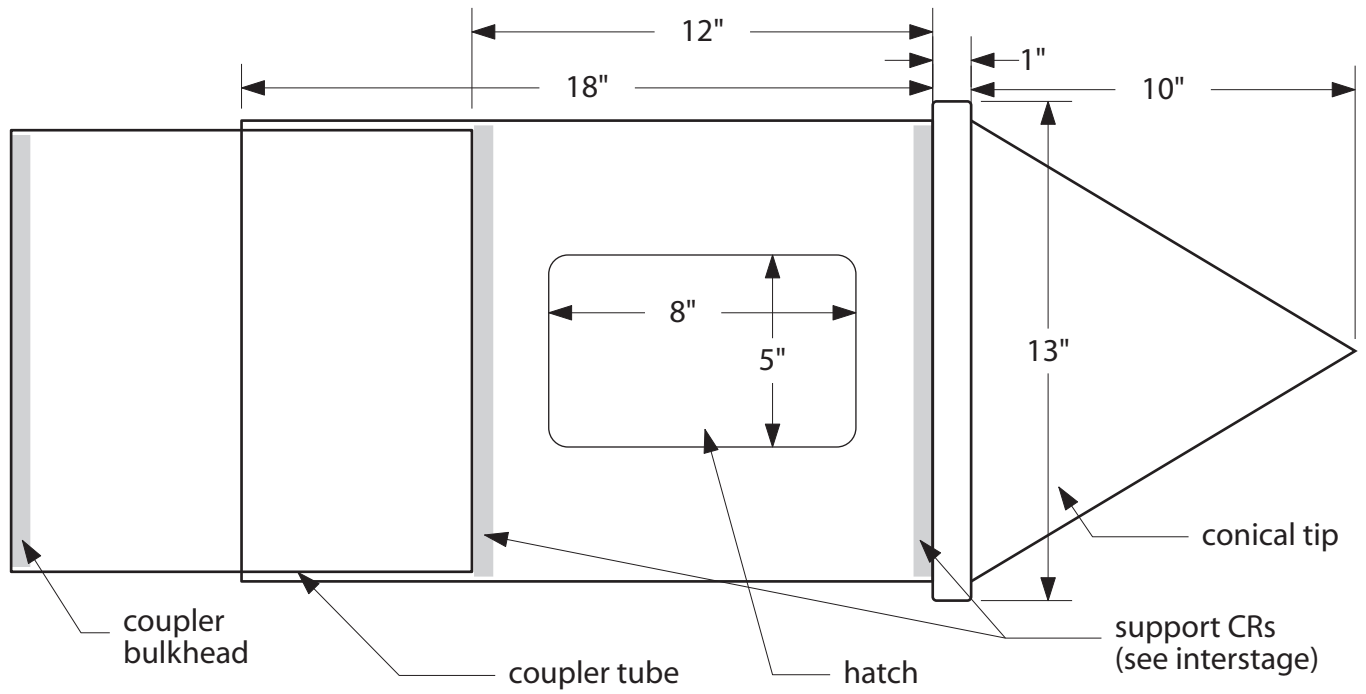


## Forward End detail



## Aft End detail

