

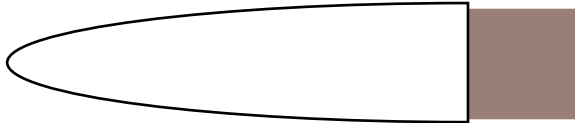
recovery section (36")



motor tube (42")



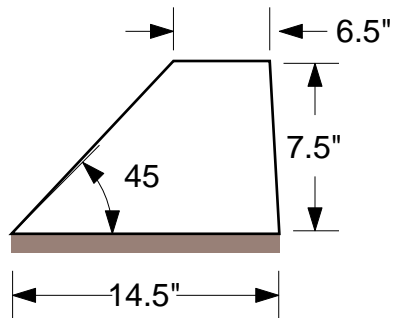
nosecone (24")



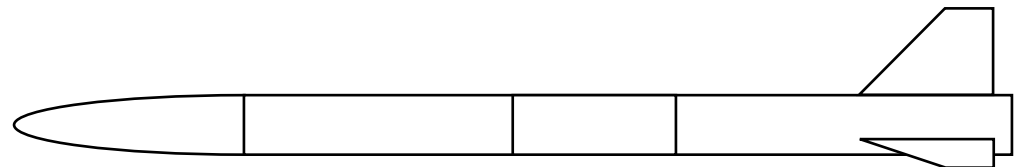
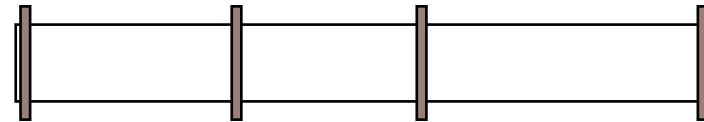
electronics bay (24" external, 12" internal)



3 fins (1/2" birch plywood)



98mm motor mount (36")



Airframe Design

Generic Rocket

John Coker