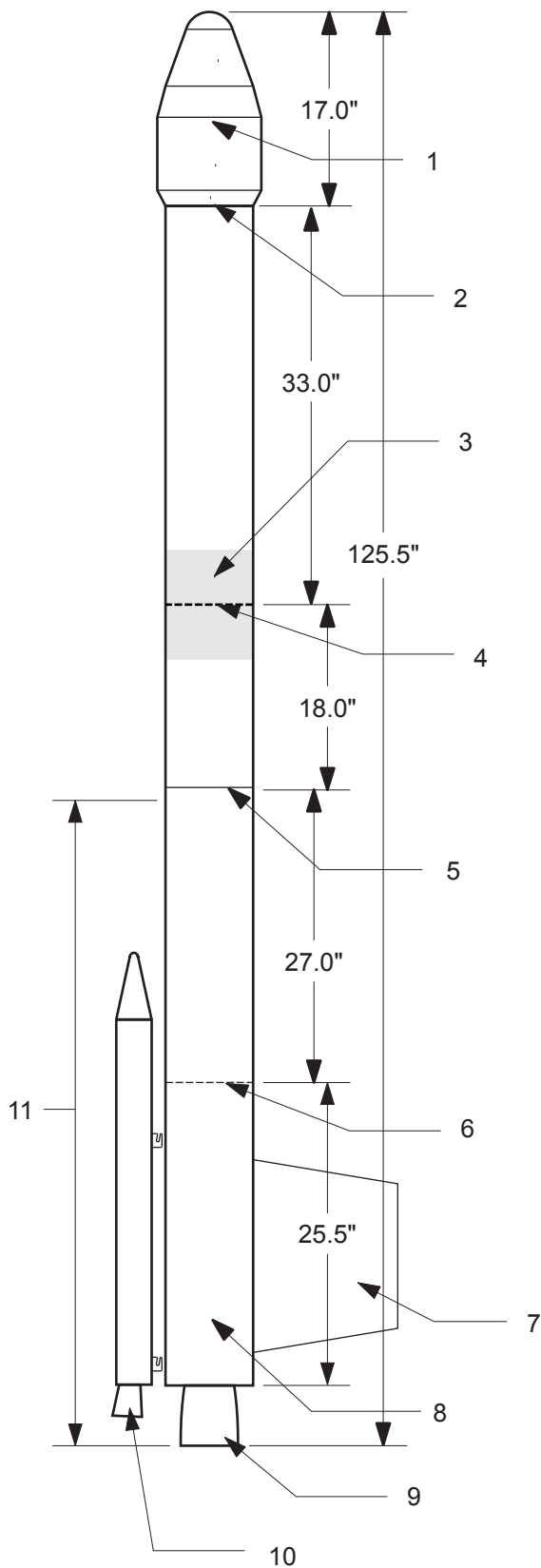
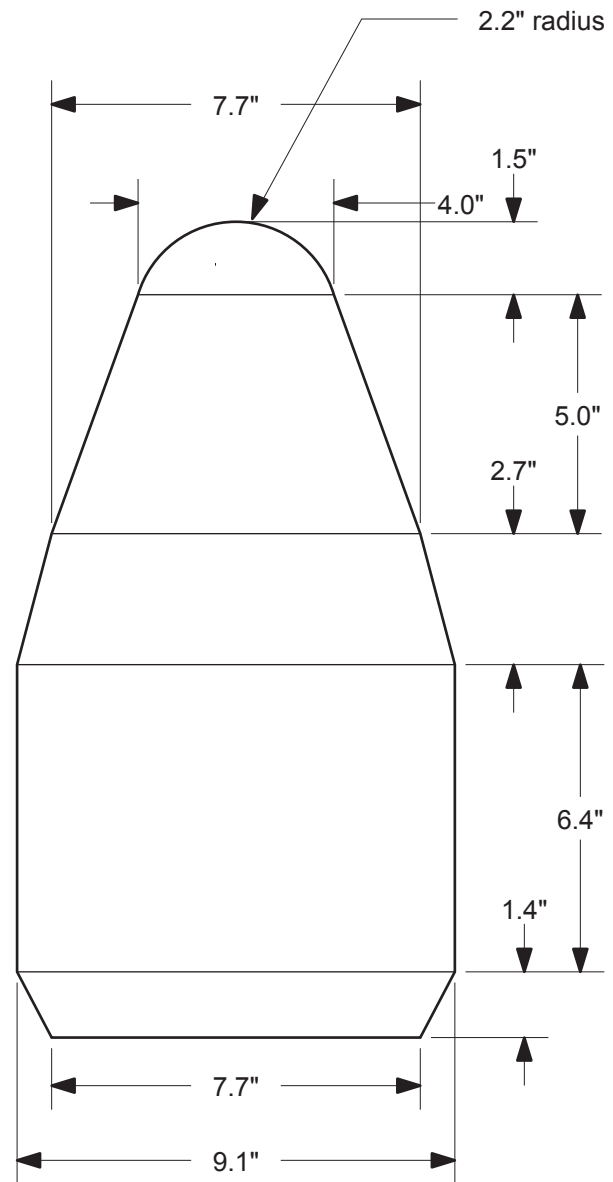


Overall



Nose/Payload



Notes

1. Nose is molded fiberglass
2. Break for main parachute
3. Recovery electronics bay
4. Access to electronics bay
5. Break for drogue parachute
6. Access to booster hardware & electronics
7. 1/2" Lexan fins: root 16", span 12" (3)
8. 7.512" airframe tubing
9. 5" Nozzle built up on MMT
10. Drop-away boosters (9)
11. 56"+ available for motor